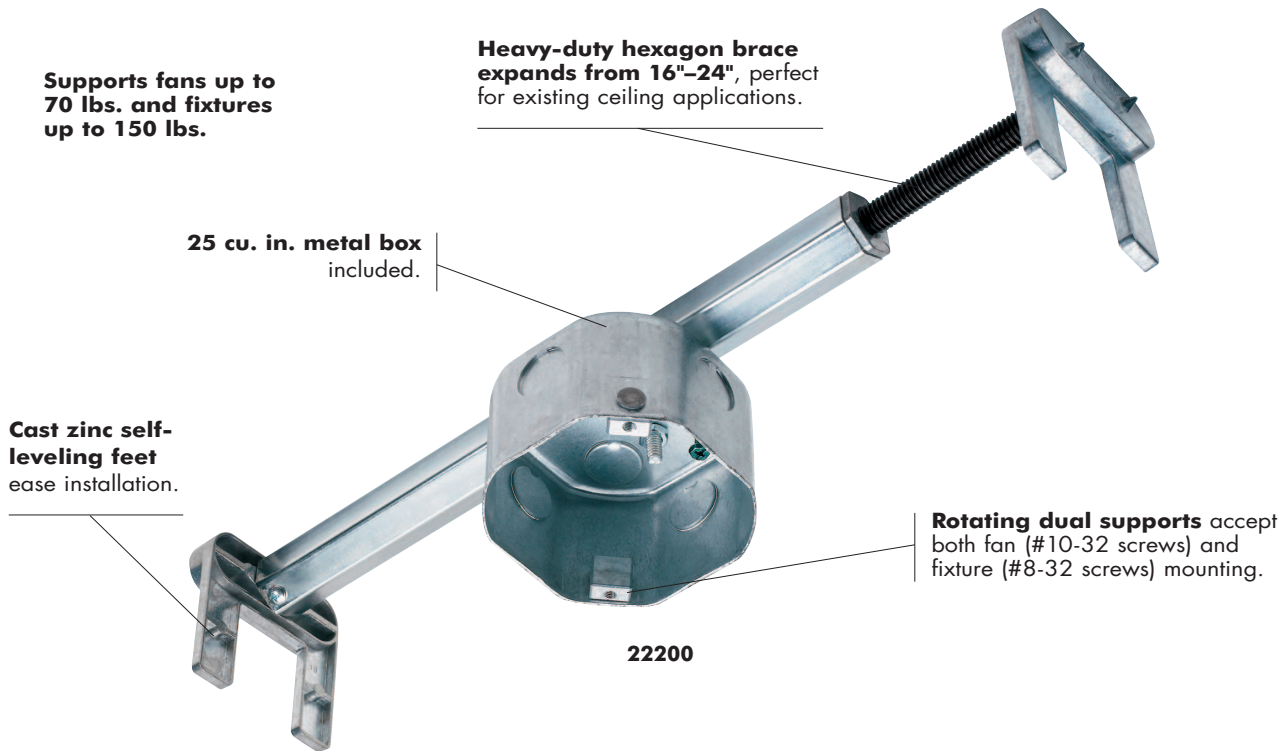


# Reiker Ceiling Fixture Support Products

Pass & Seymour



Supports fans up to 70 lbs. and fixtures up to 150 lbs.

Heavy-duty hexagon brace expands from 16"-24", perfect for existing ceiling applications.

25 cu. in. metal box included.

Cast zinc self-leveling feet ease installation.

Rotating dual supports accept both fan (#10-32 screws) and fixture (#8-32 screws) mounting.

22200

## Index

Device	Page Number
Retrofit Braces	Q-2
New Construction Slides	Q-3
Side, Direct & Shallow Boxes	Q-4
Specialty Boxes & Concrete Fan Support Boxes	Q-5
Specifications	Q-6, Q-7

**2002 National Electrical Code® 314.27 Outlet Boxes.** A fixture weighing more than 50 pounds shall be supported by an outlet box that is listed for the weight of the fixture it is intended to support.

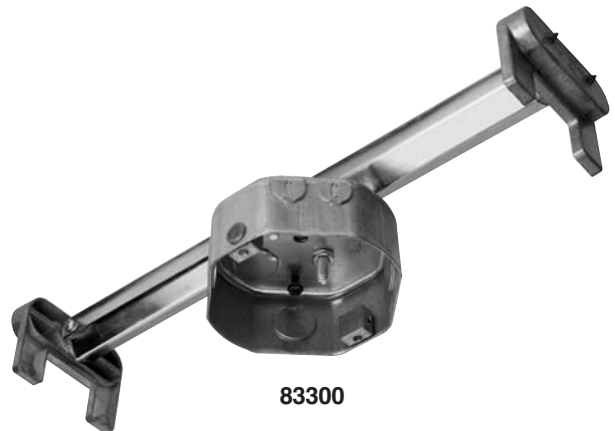
**2002 National Electrical Code® 422.18 Support of Ceiling-Suspended (Paddle) Fans.** Outlet boxes or outlet box systems listed for the purpose shall be used to support ceiling-suspended fans weighing up to 70 pounds.

## Reiker Ceiling Fixture Support Products Retrofit Braces

### Features

- For spans from 16 to 24 inches.
- UL listed for fan and fixture support.
- Self-leveling feet.
- Maximum weight rating shown for 16" spans.
- Ground screw pre-installed.
- Boxes include top knockouts.

Catalog Number	Description	Weight Rating	Volume Cu. In.	Box Depth	Quantity Per Carton
<b>Retrofit Braces</b>					
22200	Fan Brace – premium grade with deep box, rotating dual support for 16-24" spans	UL listed up to 70# fan/150# fixture	25 cu. in.	2.5"	12
33310	Fan Brace – standard grade with standard box, single #10 support for 16-24" spans	UL listed up to 70# fan/150# fixture	16 cu. in.	1.5"	12
33300	Fan Brace Only – use with standard octagon electrical box (33303), single #10 support for 16-24" spans	UL listed up to 70# fan/150# fixture	N/A	N/A	12
83300	Fan Brace – premium grade with standard box, rotating dual support for 16-24" spans	UL listed up to 70# fan/150# fixture	16 cu. in.	1.5"	12



# Reiker Ceiling Fixture Support Products New Construction Slides

Pass & Seymour



Features	
<ul style="list-style-type: none"> <li>■ For spans from 16 to 24 inches.</li> <li>■ UL listed for fan and fixture support.</li> <li>■ Peel-off tape for "hands-free" installation.</li> <li>■ Maximum weight rating shown for 16" spans.</li> </ul>	<ul style="list-style-type: none"> <li>■ Broadest line available, from shallow to deep boxes.</li> <li>■ Pre-assembled with ground screw installed.</li> <li>■ Boxes include top knockouts.</li> </ul>

Catalog Number	Description	Weight Rating	Volume Cu. In.	Box Depth	Quantity Per Carton
<b>New Construction</b>					
55501*	Slide Fan Support – heavy-duty slide with standard box, rotating dual support for 16-24" spans	UL listed up to 70# fan/110# fixture	16 cu. in.	1.5"	24
65521	Slide Fan Support – same heavy-duty slide as 55501, but with 2.0" deep box, to accommodate up to 1" firewall or soundproofed ceilings, with rotating dual support for 16-24" spans, bulk packed	UL listed up to 70# fan/110# fixture	21 cu. in.	2.0"	25
85502	Slide Fan Support – heavy-duty slide with deep box, rotating dual support for 16-24" spans	UL listed up to 70# fan/110# fixture	21 cu. in.	2.0"	24
77702	Slide Fan Support – heavy-duty slide with shallow box, rotating dual support for 16-24" spans	UL listed up to 70# fan/110# fixture	8 cu. in.	5/8"	24

\*Available in 12 Pack. Use Catalog Number 5550112.

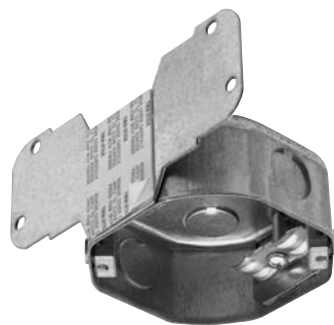


All devices listed on this page conform to NEMA OS1.

Pass & Seymour



## Reiker Ceiling Fixture Support Products Side, Direct & Shallow Boxes



55015



44400



77705

### Features

- Direct mount to joist.
- UL listed for fan and fixture support.
- Peel-off tape for “hands-free” installation.
- Broadest line available, from shallow to deep boxes.
- Ground screw pre-installed.
- Supplied with hardware.
- Boxes include top knockouts.

Catalog Number	Description	Weight Rating	Volume Cu. In.	Box Depth	Quantity Per Carton
<b>Side Mount Boxes</b>					
55015	Side Mount Box – with rotating dual support	UL listed up to 70# fan/150# fixture	16 cu. in.	1.5"	24
55020*	Side Mount Deep Box – with rotating dual support	UL listed up to 70# fan/150# fixture	21 cu. in.	2.0"	24
55025	Side Mount Deep Box – same as 55020 with 5 top knockouts and rotating dual support	UL listed up to 70# fan/150# fixture	21 cu. in.	2.0"	24
<b>Direct Mount Boxes</b>					
33303	Standard Electrical Box – for use with 33300 Brace	N/A	16 cu. in.	1.5"	36
44400	Direct Mount Deep Box – with rotating dual support	UL listed up to 70# fan/150# fixture	25 cu. in.	2.5"	24
55505	Direct Mount Box – with rotating dual support	UL listed up to 70# fan/150# fixture	16 cu. in.	1.5"	48
55528	Direct Mount Deep Box – with rotating dual support	UL listed up to 70# fan/150# fixture	21 cu. in.	2.0"	24
<b>Shallow Boxes</b>					
77700*	Direct Mount Shallow Box – with rotating dual support	UL listed up to 70# fan/150# fixture	8 cu. in.	5/8"	24
77705	Direct Mount Shallow Box – with rotating dual support	UL listed up to 70# fan/150# fixture	6.5 cu. in.	1/2"	24

\*Available in 12 Packs. Use Catalog Numbers 55020012, and 77700012.

# Reiker Ceiling Fixture Support Products Specialty Boxes, Concrete Fan Support Boxes & Contractor Packs

Pass & Seymour



## Features

- Direct mount to joist.
- UL listed for fan and fixture support.
- Peel-off tape for "hands-free" installation.
- Maximum weight ratings (slides and braces) shown for 16" spans.
- Broadest line available, from shallow to deep boxes.
- Ground screw pre-installed.
- Supplied with hardware.
- Boxes include top knockouts.



77706



15010



15040

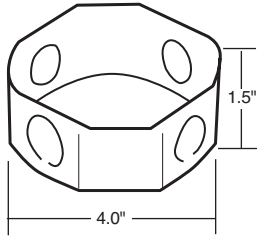
Catalog Number	Description	Weight Rating	Volume Cu. In.	Box Depth	Quantity Per Carton
<b>Specialty Boxes</b>					
77706	Shallow Box – with wings for thick/ fire wall ceilings, rotating dual support	UL listed up to 70# fan/150# fixture	8 cu. in.	5/8"	24
15010	Drop Ceiling Support – single #10 support for 24-36" spans, 38" drop	UL listed up to 70# fan (24")/150# fixture (24")	16 cu. in.	1.5"	6
<b>Concrete Fan Support Boxes</b>					
15040	Concrete Box – single #10 support	UL listed up to 35# fan/50# fixture	53.5 cu. in.	4.0"	12

Catalog Number	Description	Weight Rating	Volume Cu. In.	Box Depth	Quantity Per Carton	Base Item
<b>Bulk – Contractor Pack</b>						
65501	Slide Fan Support – heavy-duty slide with standard box, rotating dual support for 16-24" spans	UL listed up to 70# fan/110# fixture	16 cu. in.	1.5"	25	55501
77708	Slide Fan Support – heavy-duty slide with shallow box, rotating dual support for 16-24" spans	UL listed up to 70# fan/110# fixture	8 cu. in.	5/8"	24	77702
65505	Direct Mount Box – with rotating dual support	UL listed up to 70# fan/150# fixture	16 cu. in.	1.5"	50	55505
67705	Direct Mount Shallow Box – with rotating dual support	UL listed up to 70# fan/150# fixture	6.5 cu. in.	1/2"	50	77705

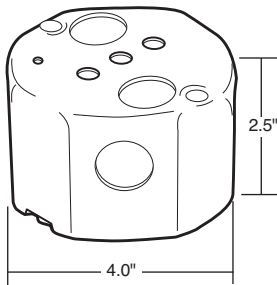
All devices listed on this page conform to NEMA OS1.

# Reiker Ceiling Fixture Support Products Specifications

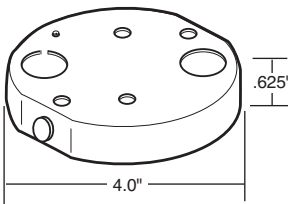
## Retrofit Braces



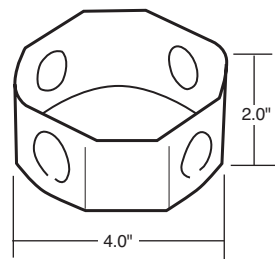
A



B



C



D

Materials of Construction	
Hex Tube	16 Gauge Extruded Steel with Chrome Plating
Square Tube	16 Gauge Extruded Steel with Chrome Plating
Die Cast Feet	Die Cast Zinc
Plastic Feet	Injection Molded Plastic

Compliances	
Compliant with UL514A	
Compliant with NEC Section 422.18 and Section 314.27	
Extension rating from 16 to 24 inches	
Compliant with NEMA Standard OS1	

Catalog Number	Description	Box Included			Weight Rating			
		Type	Depth	Cu. In.	16" Spans		>16-24" Spans	
22200	Premium Brace with deep box	B	2.5	25	70	150	35	50
33300	Premium Brace only		None		70	150	35	50
33310	Standard Brace with standard box	A	1.5	16	70	150	35	50
83300	Premium Brace with standard box	A	1.5	16	70	150	35	50

## New Construction Slides

Materials of Construction	
Slide Parts	16 Gauge Stamped Steel
Inner Slide	14 Gauge Stamped Steel

Compliances	
Compliant with UL514A	
Compliant with NEC Section 422.18 and Section 314.27	
Extension rating from 16 to 24 inches	
Compliant with NEMA Standard OS1	

Catalog Number	Description	Box Included			Weight Rating			
		Type	Depth	Cu. In.	16" Spans		>16-24" Spans	
55501	Heavy-Duty Slide w/standard box	A	1.5	16	70	110	35	50
65501	Heavy-Duty Slide w/standard box	A	1.5	16	70	110	35	50
65521	Heavy-Duty Slide w/deep box	D	2.0	21	70	110	35	50
77702	Heavy-Duty Slide with shallow box	C	0.625	8	70	110	35	50
77708	Heavy-Duty Slide with shallow box	C	0.625	8	70	110	35	50
85502	Heavy-Duty Slide with deep box	D	2.0	21	70	110	35	50

# Reiker Ceiling Fixture Support Products Specifications

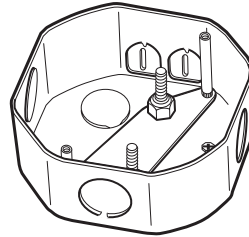
Pass & Seymour



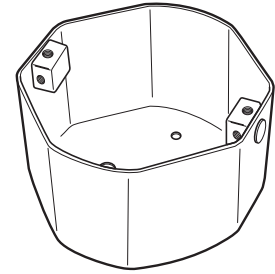
## Side, Direct, Shallow & Specialty Boxes

Materials of Construction	
Box Steel	16 Gauge Stamped Steel

Compliances
Compliant with UL514A
Compliant with NEC Sections 422.18 and 314.27
Compliant with NEMA Standard OS1



Single #10 Support



Rotating Dual Support

Catalog Number	Description	Box Capacity	Weight Rating
33303	Electrical Box Only	16 cu. in.	N/A
44400	Direct Mount with Rotating Dual Support	25 cu. in.	Up to 70# Fan/150# Fixture
55015	Side Mount with Rotating Dual Support	16 cu. in.	Up to 70# Fan/150# Fixture
55020	Side Mount with Rotating Dual Support	21 cu. in.	Up to 70# Fan/150# Fixture
55025	Side Mount with Rotating Dual Support	21 cu. in.	Up to 70# Fan/150# Fixture
55505	Direct Mount with Rotating Dual Support	16 cu. in.	Up to 70# Fan/150# Fixture
55528	Direct Mount with Rotating Dual Support	21 cu. in.	Up to 70# Fan/150# Fixture
77700	Direct Mount Shallow Box with Rotating Dual Support	8 cu. in.	Up to 70# Fan/150# Fixture
77705	Direct Mount Shallow Box with Rotating Dual Support	6.5 cu. in.	Up to 70# Fan/150# Fixture
77706	Direct Mount with U-Bracket for Firewalls with Rotating Dual Support	8 cu. in.	Up to 70# Fan/150# Fixture

Catalog Number	Wire Clamp Type
15010	Metal
15040	Plastic
22200	Plastic
33303	Metal
33310	Plastic
44400	Plastic
55015	Metal
55020	Plastic
55025	Plastic
55501	Metal
55505	Metal
55528	Plastic
65501	Metal
65521	Metal
77700	Plastic
77702	Plastic
77705	Plastic
77706	Plastic
83300	Plastic